

# HOLUX<sup>®</sup>

BY DEUSCHTEC GMBH

## S150 - Sliding Door Operator

Holux S150 is made for undemanding entrances to places with high traffic, doors with normal or triple-glazing glass, average-sized entries or tall wide heavy doors. Slim operator of Holux S150 gifts any architecture with a stunning look.



## Holux S150

operator height	100 mm
operator depth	177 mm
max leaf weight, single	200 kg
max leaf weight, double	2 x 150 kg
opening width - single panel	800 - 2.000 mm
opening width - double panel	1.000 - 3.000 mm
opening speed	100 - 700 mm/s
closing speed	100 - 700 mm/s
hold-open time	0 - 30 s
ambient temperature	-15 to +50°C
protection class	IP20
100% german-made operator kit	✓
track profile	stainless steel
anti-noise rubber profile	✓
input power	230V AC ±10%, 50/60Hz
gear motor power	100 W
max power consumption	200 W
max operation cycles with 2.2 Ah backup battery (Optional)	450
possibility to adjust force limitation according to DIN18650 and EN16005	✓
possibility to use safety sensors with testing signal for opening direction	✓
mechanical key switch (Optional)	✓

## Holux S150

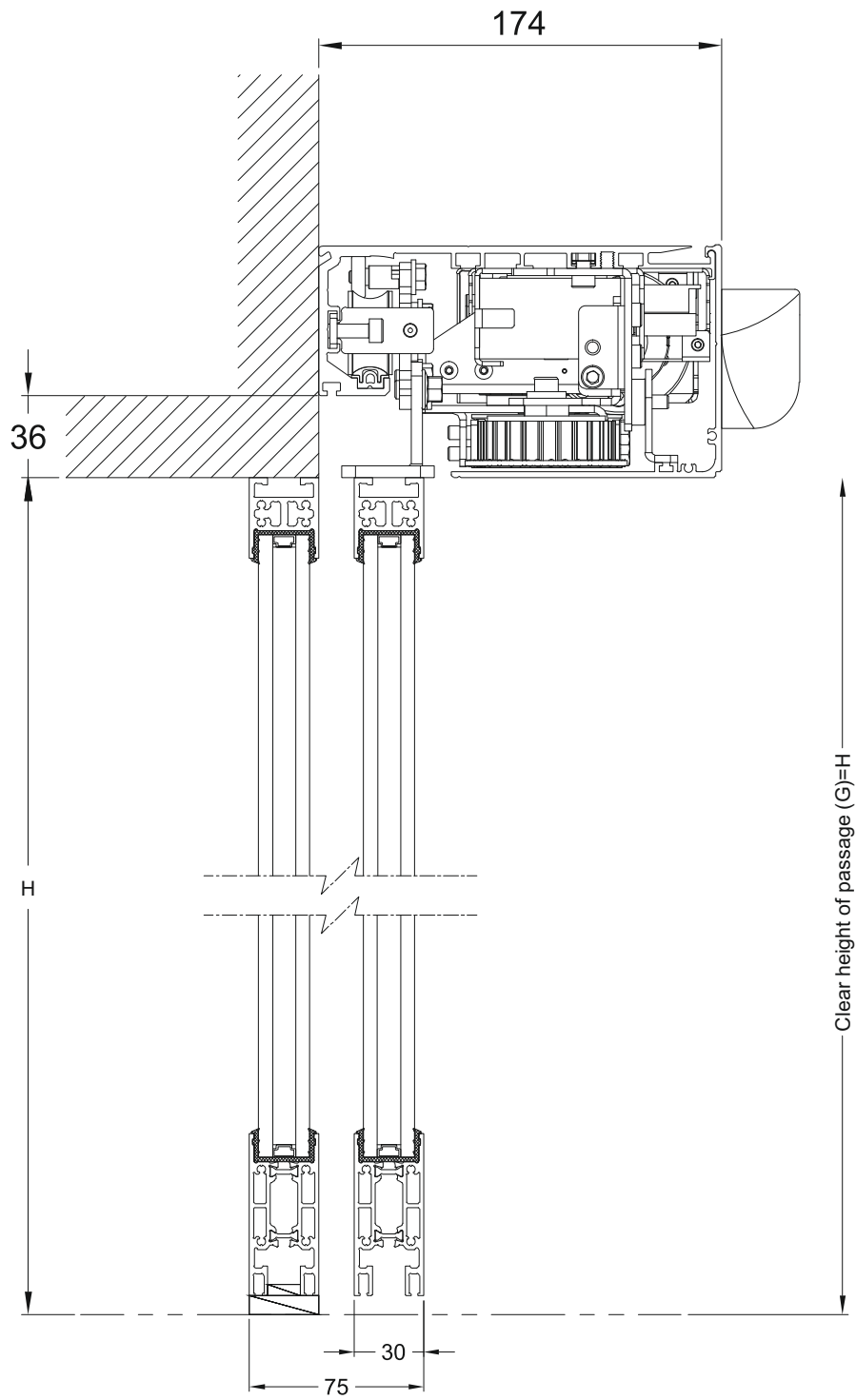
24V DC output for external accessories	✓
Power Lock	✓
possibility of using electromechanical lock (Optional)	✓
lock monitoring	✓
possibility of using digital programme switch (Optional)	✓
read-out error memory with error codes (with digital programme switch)	✓

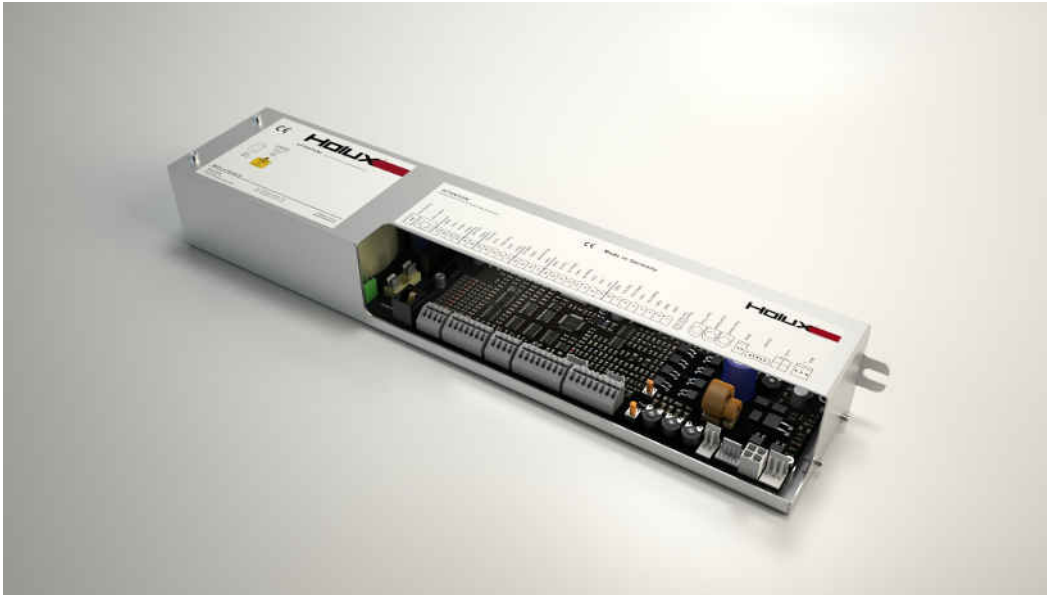
## Frame types:

TBS	✓
THB	✓
UTS	✓
Saturn	✓
Frameless	✓

## Standards

DIN 18650	✓
EN 16005	✓
EN 60335	✓
EN ISO 13849-1:2008	✓
TÜV approved	✓
CE conformity	✓
tested for 1,000,000 cycles	✓



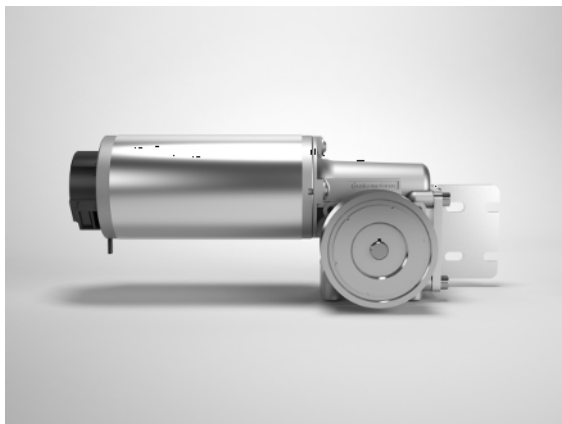
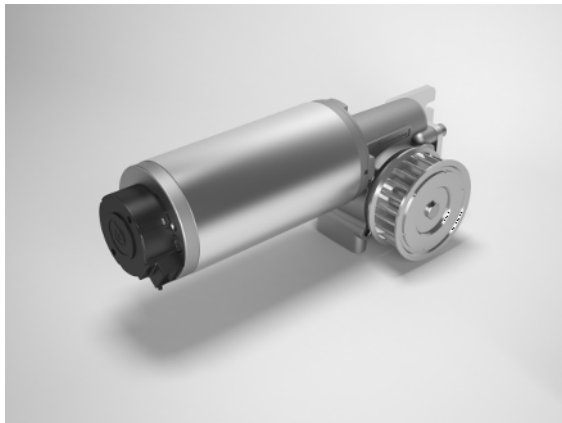
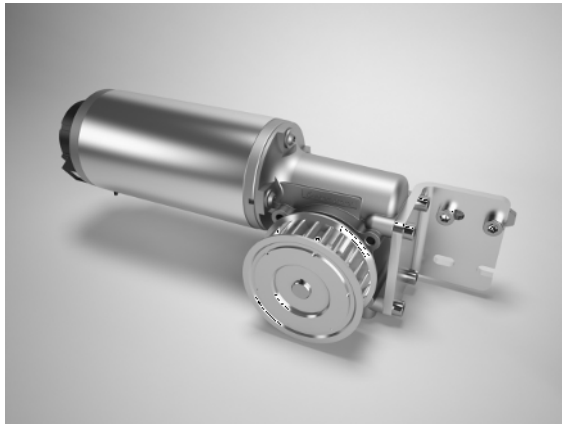


Holux S150 new controlling microprocessor circuit board is designed and made by utilizing the most novel parts and latest technologies. Hence despite its miniscule size, its capabilities are incredibly superior to those of older models. In each and every step of designing and producing this controller, we have taken care of all research, design and production stages in Germany and under close supervision of our German engineers who have decades of

invaluable experience and we have also thoroughly followed all European Union and German DIN norms, such as machinery directives and electromagnetic compatibility (EMC) regulations. This has led Holux S150 controller to ensure your safety and live a much longer prosperous life compared to similar products. Moreover, due to the use of sophisticated technologies to save energy and resources, you can be justly proud of enjoying an eco-friendly technology!

Some points worth considering are:

- Ability to work with battery in case of power-cut for non-escape models.
- Ability to charge and perfectly maintain the battery which brings the battery a much longer lifetime.
- Ability to match with various types of sensors available in the market.
- Ability to be adjusted and programmed by digital programm switch.
- Self-diagnose and error detection.
- Having standard RS485 interface for connecting to other accessories.
- Ability to automatically adjust speed and slopes according to input voltage changes.
- Ability to work with 20% higher or lower than nominal input voltage.
- Completely protected system input ports which reduce the damage risk due to human error during installation.



Like its other state-of-the-art parts, Holux S150 motors are fully made in Germany. Their 100W motors are absolutely indestructible and are there to ensure reliable performance for a lifetime. Great efficiency and enhanced function are achieved through employing years of experience and the latest technologies in the process of our motors' design and production. These brushed DC motors are so quiet that while in action, you will hear nothing but a muffled sound.

In many cases, there is no real need for (optional) electromechanical lock and buildings ensure security by other means.



However, it is necessary for the entrance to be allowed limited access. In this case, power lock free function is a wholesome solution. When the door is locked, if there is pressure

on it for becoming open, the motor will use its full power in the opposite direction and make it practically improbable to enter for unauthorized individuals.

Holux electromechanical slider lock has been designed for the highest levels of security. It utilizes steel pins to lock both lea-

ves simultaneously and therefore, is much safer compared to those models which lock the timing belt or just one leaf.



Furthermore, since it employs bistable mechanism, system's power reset does not affect the lock's state. Due to using powerful batteries and an intelligent circuit, battery usage is reduced to zero when the door is locked and there is a power-cut. Thus, even weeks after the

input electricity has been cut, the system can open the lock and the door by the key switch, which is an optional accessory and can be installed outside of the entry area.

\*In case of using a remote control or any other battery-operated device, battery's life in the event of power-cut depends on how much the receiver or other accessories draw on the energy.



## Digital Programme Switch

Our digital programme switch's easy-to-read, full-text display provides perfectly welldefined access to all performance data and parameters. Adjustment and diagnostic processes can be accurately duplicated or customized to meet your specific needs. Moreover, it has protection password code. It must be hard to resist the lure of such a brilliant "optional" part!



## Mechanical Key Switch

A mechanical key switch might sound a little old-fashioned. The upside, however, is that due to its being around for quite a long time, you will need no special knowledge or expertise to enjoy its advantages. It also offers five modes: full open, partial open, lock, automatic and one-way. This key switch is simply another tempting accessory!



## Battery

Our doors will always open for you! Holux sliding systems' 2.2 Ah battery will be your trusted friend for all time. This strong vital part will open and close your door up to 400 times in case of power failure. You never have to worry again whether your backup generator supports you or not because Holux S150 is its own backup!



Since our stainless steel track profiles are rust-proof and anti-abrasion, they will never need to be replaced. This will be a great value for your money during time and will prevent any possible complication which may happen when replacing profiles.





Holux products takes care of your budget by offering the most economical solution. Each and every door at Holux can be personalized to meet all your needs. Our design conserves energy so that you can save money! Besides safety and innovation, the hard-wearing product we manufacture has much more to offer: competitive prices and customized features. Whatever vision you have, we can make it real.

08.00.26092016

# S150 - Sliding Door Operator